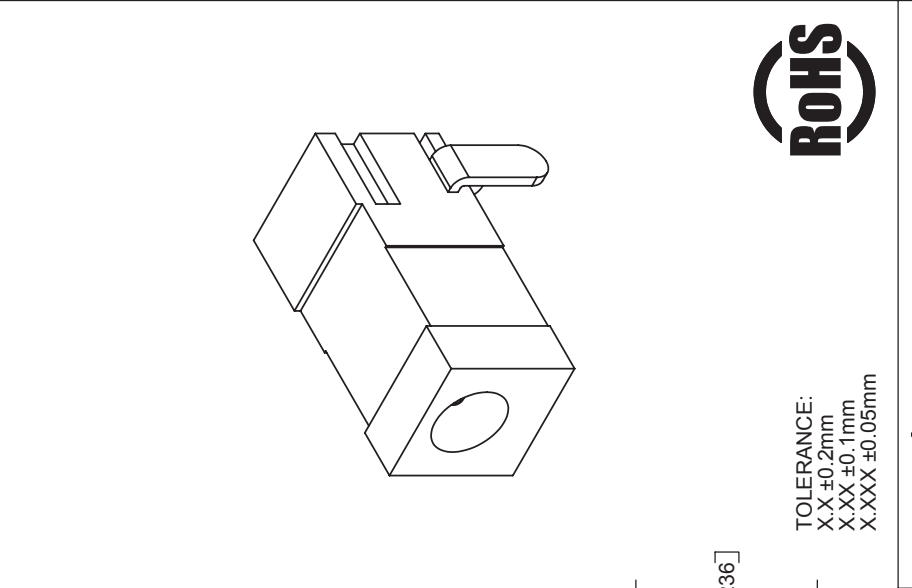
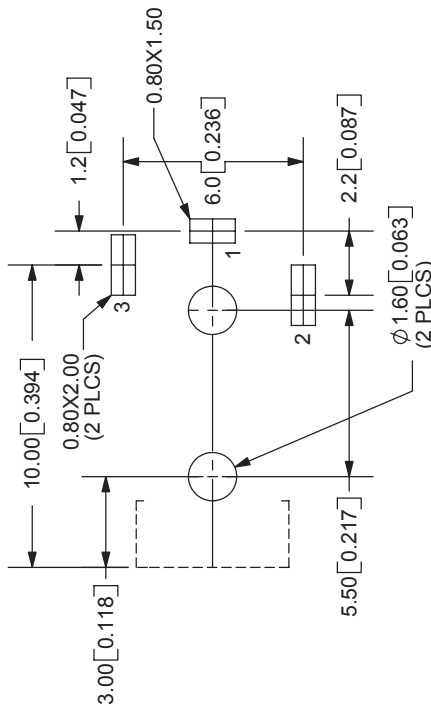
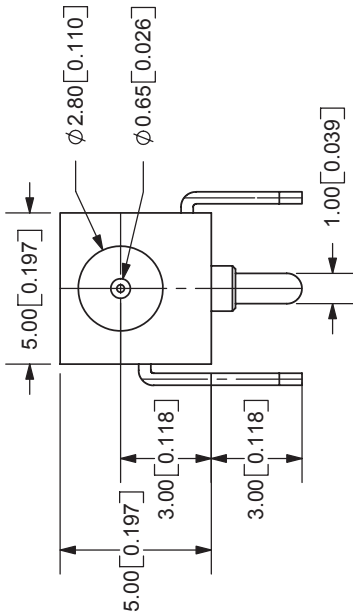
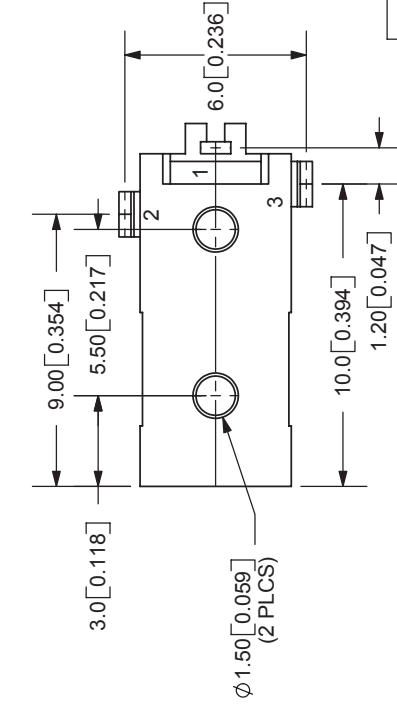
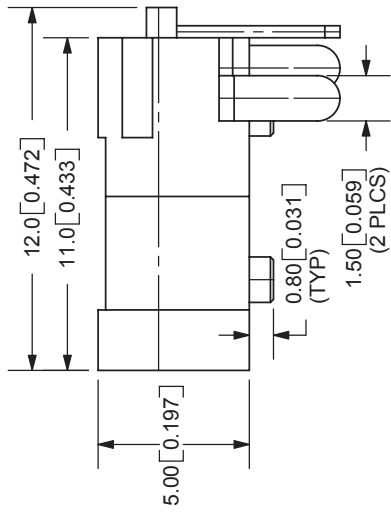


REV.	DESCRIPTION	DATE
A	NEW DRAWING	4/17/2006



9615 SW Allen Blvd., Ste. 103
 Beaverton, OR 97005
 Phone: 503-643-4899
 800-275-4899
 Fax: 503-372-1266
 Website: www.cui.com

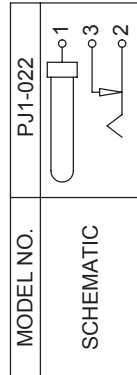
TOLERANCE:
 X.X ±0.2mm
 X.XX ±0.1mm
 X.XXX ±0.05mm



PCB LAYOUT
TOP VIEW

SPECIFICATIONS:
 RATING: 16V DC @ 1A
 CONTACT RESISTANCE: 30m OHMS MAX
 INSULATION RESISTANCE: 50M OHMS MIN: 500V DC
 VOLTAGE WITHSTAND: 500V AC R.M.S. FOR 1 MINUTE
 LIFE: 5,000 CYCLES
 OPERATING TEMP: -25° ~ +85°C

TITLE:	0.65mm DC POWER JACK, PCB MOUNT	REV:	A
PART NO:	PJ1-022	UNITS:	MM [INCHES]
DRAWN BY:	ZRJ	APPROVED BY:	
MATERIAL	PLATING		
CENTER PIN	Brass	Silver	
TERMINAL 1	Brass	Silver	
TERMINAL 2	Copper Alloy	Silver	
TERMINAL 3	Brass	Silver	
HOUSING	PA66		



CENTER PIN DIAMETER 0.65mm Dia.